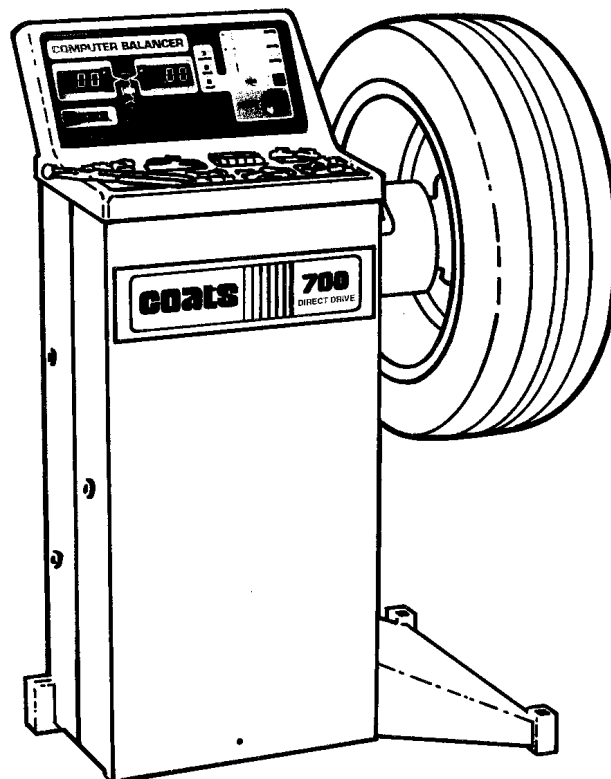


# COATS®

## 700 Solid State Computer Wheel Balancer

*700 Estado Sólido  
Balanceadora de Ruedas con Computadora*



### *Parts Identification e Identificación de Partes*

READ these instructions before placing unit in service KEEP these and other materials delivered with the unit in a binder near the machine for ease of reference by supervisors and operators.

LEER estas instrucciones antes de poner la unidad en servicio. CONSERVAR estos y otros documentos entregados con la máquina, en una carpeta cerca de la misma para facilitar la consulta por los supervisores y operarios.

**HENNESSY INDUSTRIES, INC.**

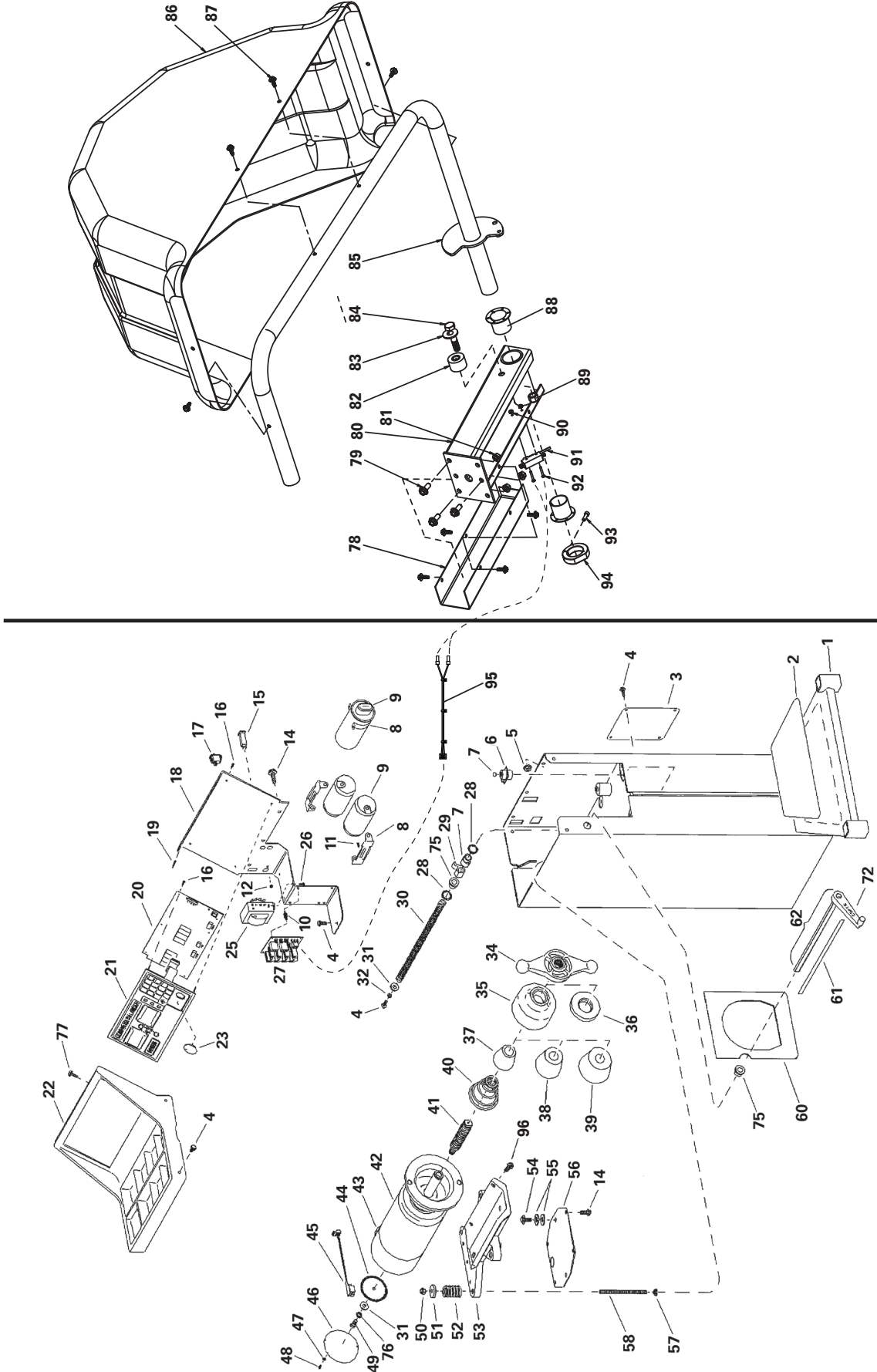
1601 J. P. Hennessy Drive, LaVergne, TN USA 37086-3565 615/641-7533 800/688-6359

HENNESSY INDUSTRIES INC. Manufacturer of AMMCO®, COATS® and BADA® Automotive Service Equipment and Tools.

Manual Part No.: 8113140 07

Revision: 8/06

# Direct Drive



700SS Parts Identification  
700SS Identificación de Partes

## Parts Identification Identificación de Partes

PART		PART		PART		PART	
ITEM	NO.	QTY.	DESCRIPTION	ITEM	NO.	QTY.	DESCRIPTION
1	8110936	1	Chassis	38	8110411	1	Cone, Medium
2	8143862	1	Pad, Anti-Skid	39	8110412	1	Cone, Large
3	8308860	1	Cover, Hand Hole	40	8308820	1	Spring, Cone Back
4	8106301	10	Screw, 1/4 x 3/4 HH Self-Tap	41	8308171	1	Stub Shaft
5	8106303	6	Nut, 3/8 Whiz Lock	42	8113048	1	Motor, 110V
6	8114473	3	Piezo Assembly Kit	81130482	1	Motor, 220V	
7	8301017	3	Ball, Steel, 1/2" Dia., Piezo	8143847	1	Plug, 3/4	
8	8307022	2	Bracket, Capacitor	8308817	1	Shutter, Encoder	
9	8110558	1	Bracket Capacitor	8110902	1	Encoder Assembly	
10	8111815	1	Capacitor Assembly, 1P 110V	8308859	1	Cover, Encoder	
11	8111814	1	Capacitor Assmy, 1P 220V	8301072	3	Washer, Lock #6	
12	8113996	4	Standoff, 8-32 male, 3/4 high	8301063	3	Screw, 6-32 x 1/2	
14	8301094	2	Screw, 8-32 x 3/4 Flat Head	8301016	1	Bolt, Shoulder, 3/8 x 3/8 Lg.	
15	8301084	4	Nut, #8-32 Kep	8301035	4	Nut, 3/8-16 Nyloc	
16	8106302	6	Screw, 3/8 Whiz Lock	8308036	4	Ret, Piezo Spring	
17	8111218	1	Breaker, 2 Amp	8307008	4	Spring, Piezo	
18	8301067	12	Screw, #6-32 Phillips PHM, Patch Lock	8111074	1	Cradle, Motor	
19	8305802	1	Switch, On-Off	8114151	2	Special Shoulder Bolt	
20	8110897	1	Power Panel	*8301121	4	Washer, 1/2	
21	8106304	2	Skin Fastener, Tinnerman	8308808	1	Flex Plate	
22	8111793	1	PCB Assembly	8106303	4	Nut 3/8-16 Flanged	
23	8110579	1	Touch Panel	8108727	4	Stud, 3/8-16 x 6.75	
24	8308878	1	Weight Tray	8143845	1	Gasket, motor	
25	8308017	1	Button, Rubber, Black	8111645	1	Scale, Distance Gauge	
26	8306806	1	Transformer	8143808	1	Assembly, Distance Gauge	
27	8111542	6	Screw, #8-32 x 1/2 Phillips Pan Head	8111818	1	Harness, Power Panel	
28	81140531	1	Motor Control Board	8110903	1	Harness, Piezo	
29	8143956	2	Retainer, Bushing	8110665	1	Wire Assmy, 22 AWG Brown Board	
30	8110168	1	Stop, Distance Gauge	8111802	1	Wire Assmy Switch to M/C Board	
31	8308023	1	Spring, Distance Gauge	8111803	1	Wire Assmy Transformer to M/C Board	
32	8107635	2	Washer, 3/8" Flat	8111805-1	1	Wire Assmy PCB to M/C Board	
33	8301142	1	Washer, Lock	8111819	1	Wire Assmy Interlock Switch	
34	8110543	1	Hub Nut	8143796	1	Power Cord, 110V Plug	
35	8110542	1	Pressure Drum, Small	8143796-2	1	Power Cord, 1P 220V	
36	8308105	1	Ring, No-Mar	86058	1	Strain Relief	
37	8110410	1	Cone, Small	8308550	1	Arm, Distance Gauge	

\* Before S/N 0606304934 use 8120325

